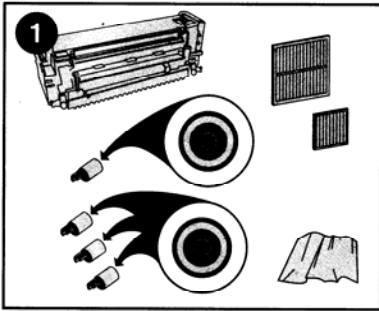
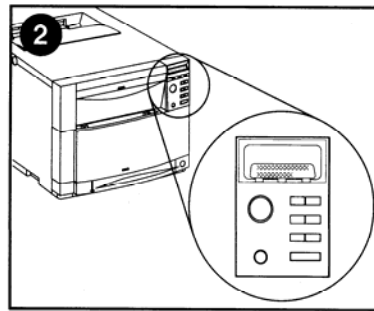


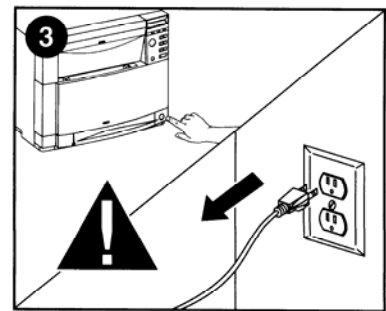
# HP 4500 Fuser Kit (C4197A) Installation Instructions



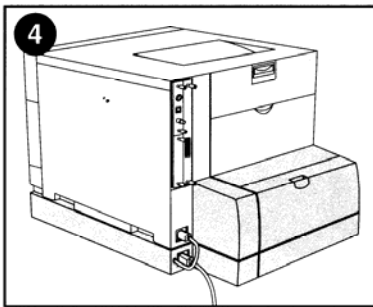
This kit contains one fuser, four paper rollers, two air filters, and a hand wipe.



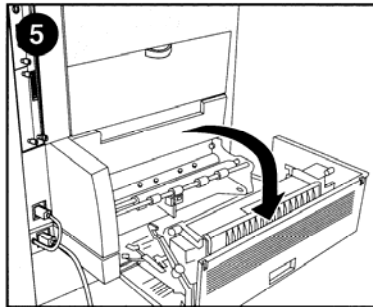
Replace the fuser kit when the printer control panel displays: FUSER LIFE OUT  
REPLACE KIT.



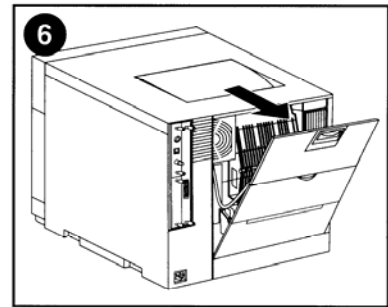
Turn the printer off. Wait 10 minutes for the fans to stop running, and unplug the power cord. Then wait 30 minutes for the printer to cool.



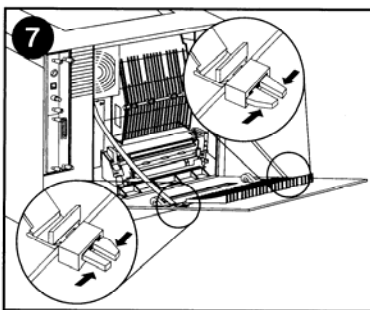
If the printer has a duplex printing accessory, see step 5. Otherwise, skip to step 6.



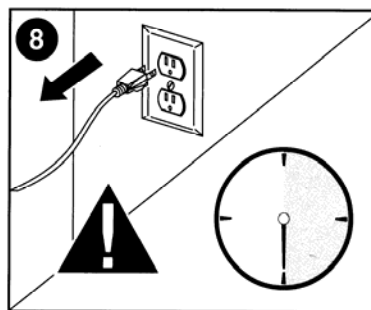
Open the rear cover of the duplex printing accessory.



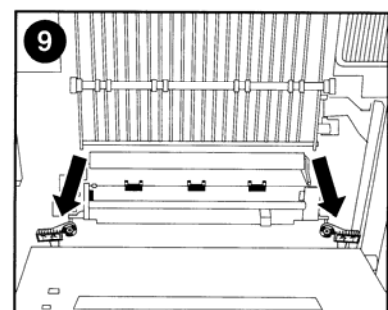
Open the upper rear door of the printer.



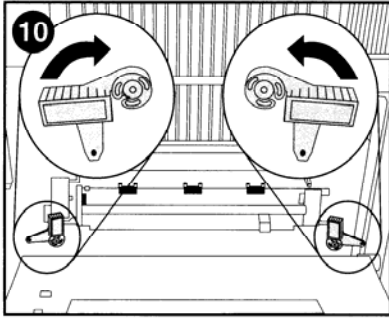
Release the straps from the rear door by squeezing the latches on the straps where they connect to the rear door. Then lower the door.



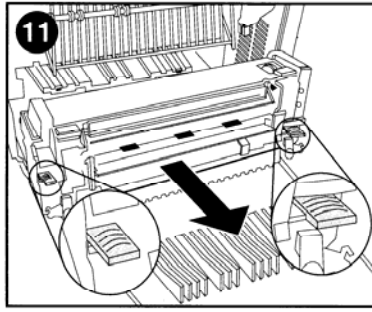
**WARNING!** To prevent possible burns, be sure the power cord is unplugged and that the printer has cooled for 30 minutes.



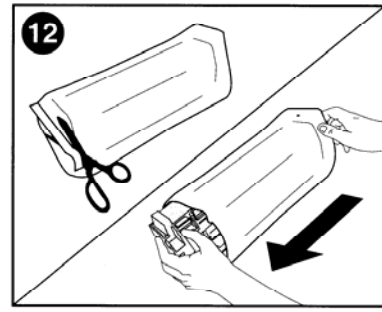
Inside the back of the printer, near the bottom, locate the two blue latches on the fuser.



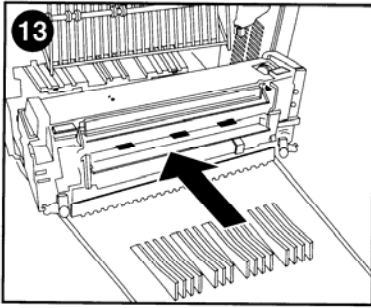
Rotate the two blue latches upward 90 degrees.



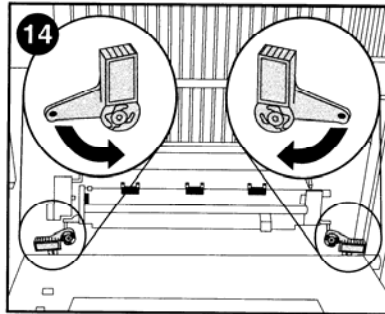
Grasp the finger holds on the fuser and pull the used fuser out of the printer.



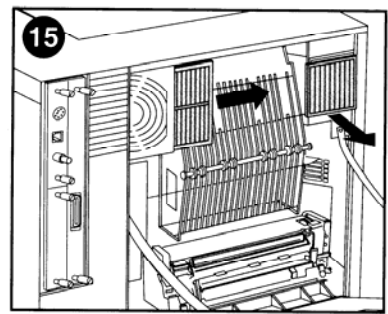
Remove the new fuser from the bag. Place the used fuser in the bag for recycling.



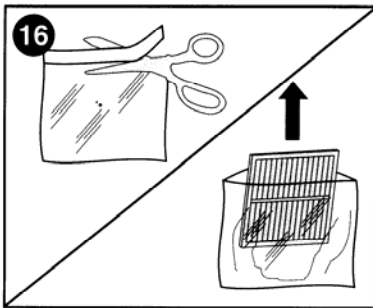
Holding the new fuser by the finger holds, slide the fuser into the printer.



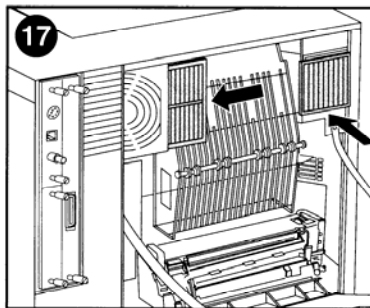
Lock the fuser in place by rotating the two blue latches down.



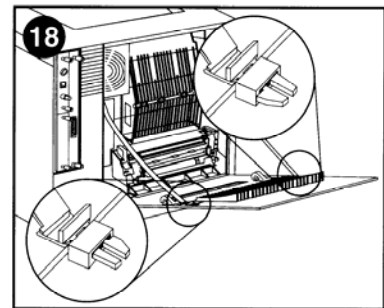
Remove the two used air filters from the rear of the printer. Then use the hand wipe to clean the fan areas.



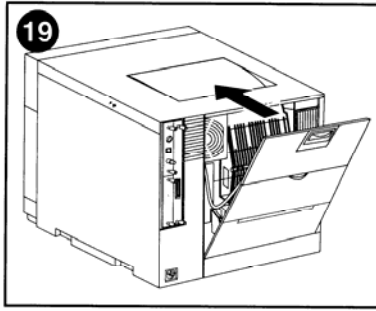
Remove the new air filters from the bag. Place the used air filters in the bag for recycling.



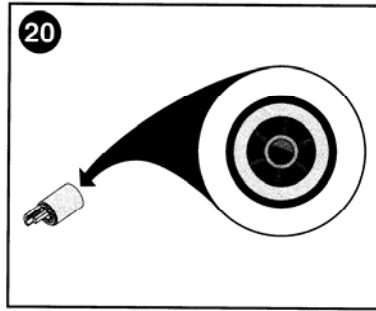
Insert the new air filters.



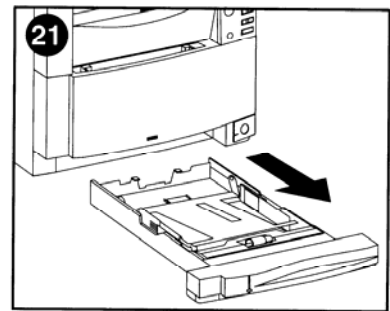
Reconnect the support straps to the upper rear door.



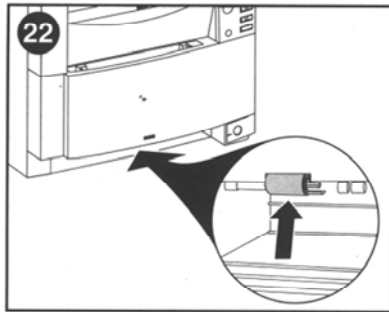
19 Close the upper rear door of the printer. If a duplex printing accessory is installed, close the accessory's rear cover.



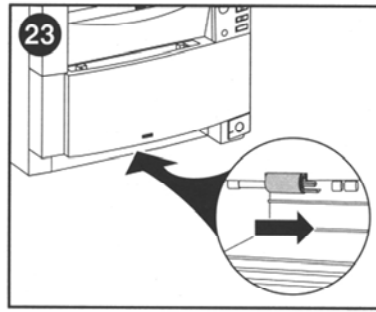
20 Locate the paper roller for inside the printer. The pattern and shape on the end of it is different from the other three paper rollers.



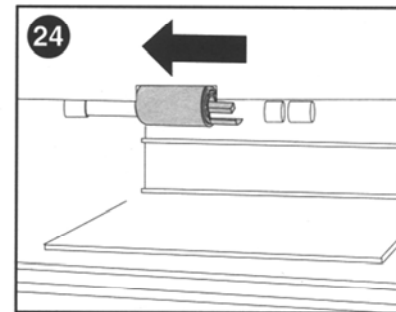
21 From the front of the printer, pull out Tray 2.



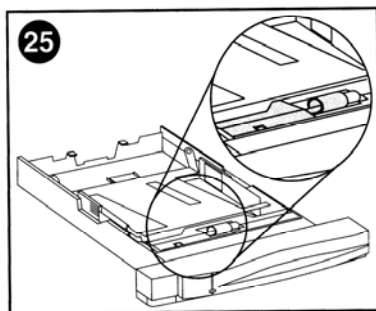
22 Inside the tray cavity on the printer, locate the paper roller in the top of the tray cavity.



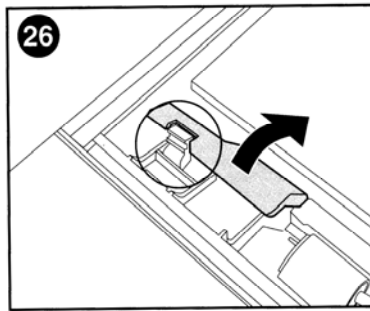
23 Squeeze the tabs on the roller and remove the old paper roller from the tray cavity.



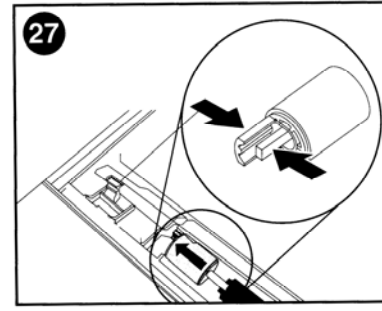
24 Install the new paper roller in the tray cavity by sliding it onto the spindle until the roller clicks into place.



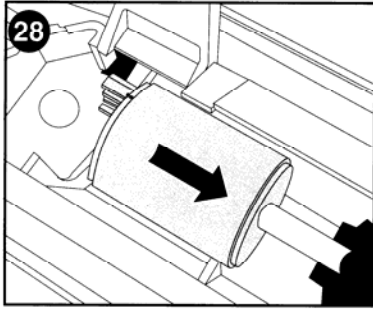
25 On Tray 2, locate the paper roller with a blue hub and the cover next to the roller.



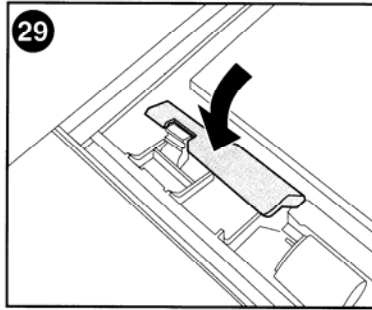
26 Squeeze the cover release lever and open the cover.



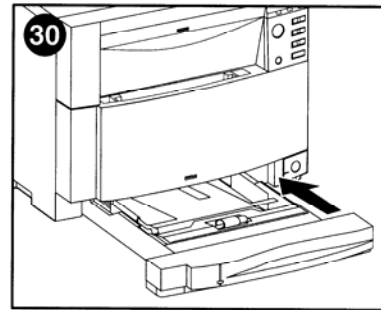
27 Remove the old paper roller from Tray 2 by squeezing together the blue tabs and then sliding the roller off its spindle.



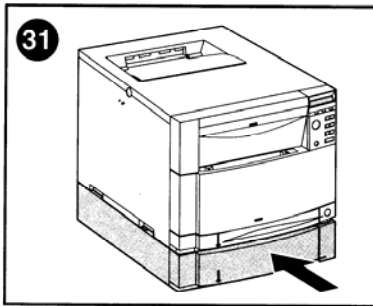
28 Install a new paper roller on Tray 2 by sliding the new roller onto the spindle until the roller clicks into place.



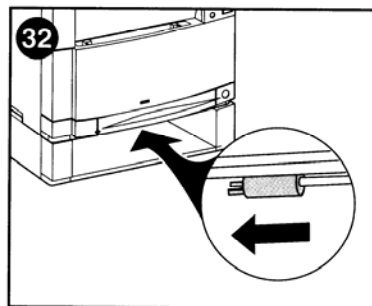
29 Close the cover.



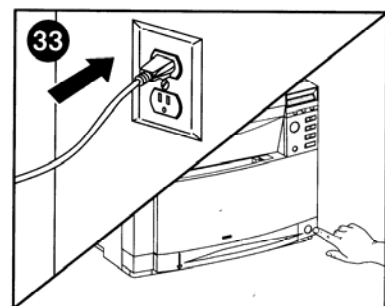
30 Insert Tray 2 into the printer.



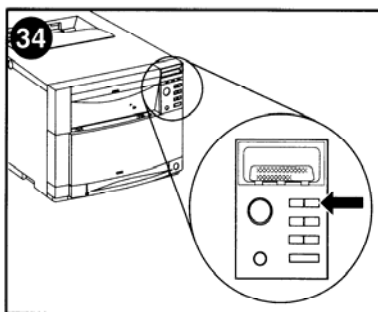
31 If the printer has a 500-sheet paper feeder accessory (Tray 3), repeat steps 21-30 to replace the paper rollers for Tray 3.



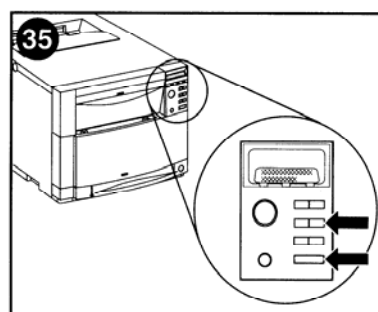
32 NOTE: The roller in the Tray 3 cavity slides the opposite direction as the roller in the Tray 2 cavity.



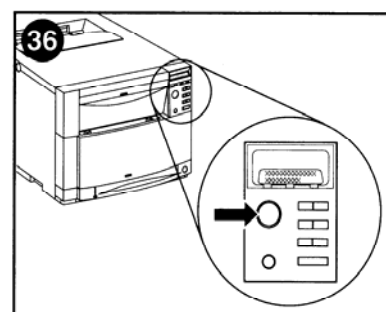
33 After you have replaced all the used paper rollers, plug the power cord in and turn the printer on. If FUSER LIFE OUT does not appear on the control panel, skip to step 36.



34 Wait until the printer control panel displays READY. Then, to reset the printer for the new fuser kit, push **Menu** on the control panel until RESETS MENU appears.



35 Press **Item** until NEW FUSER KIT, SELECT IF DONE appears. Then press **Select**.



36 Press **Go** to return the printer to READY.